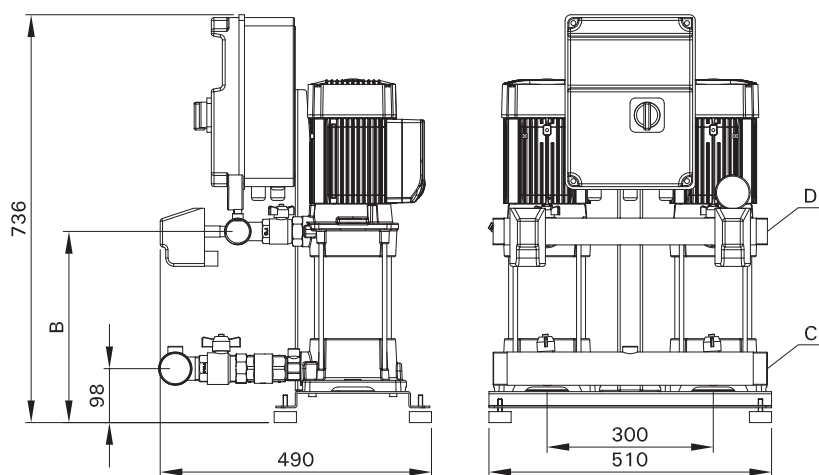


DATI ELETTRICI E PRESTAZIONI DEL GRUPPO

| Dati elettrici | | | | | | Dati di prestazione | | | | | | | | | | | | | |
|----------------|---------------|---------------|-----------------------|------------------|----------|----------------------|-------|-------|-------|-------|------|------|------|------|------|------|------|---|---|
| Modello GP2B | | Gruppo | | | | Portata Q | | | | | | | | | | | | | |
| Alimentazione | | Modello pompa | Potenza nominale (kW) | Assorbimento (A) | | mc/h | 0 | 1,2 | 2,4 | 4,8 | 7,2 | 9,6 | 12 | 14,4 | 16,8 | 19,2 | 21,6 | | |
| 1 x 230V | 3 x 400V | - | P2 | 1 x 230V | 3 x 400V | l/min | 0 | 20 | 40 | 80 | 120 | 160 | 200 | 240 | 280 | 320 | 360 | | |
| GP2B 50/160M | GP2B 50/160T | MK 3/3-N | 2 x 0,75 | 2 x 6,0 | 2 x 2,4 | Prevalenza H = metri | 52,0 | 50,5 | 49,0 | 45,0 | 38,0 | 28,0 | - | - | - | - | - | - | |
| GP2B 70/160M | GP2B 70/160T | MK 3/4-N | 2 x 1,1 | 2 x 6,5 | 2 x 2,8 | | 69,5 | 67,5 | 65,5 | 60,0 | 50,5 | 38,0 | - | - | - | - | - | - | - |
| GP2B 90/160M | GP2B 90/160T | MK 3/5-N | 2 x 1,1 | 2 x 7,0 | 2 x 3,0 | | 87,0 | 85,0 | 82,0 | 75,0 | 63,5 | 47,0 | - | - | - | - | - | - | - |
| GP2B 100/160M | GP2B 100/160T | MK 3/6-N | 2 x 1,5 | 2 x 9,0 | 2 x 3,2 | | 104,0 | 101,0 | 98,0 | 90,0 | 76,0 | 56,0 | - | - | - | - | - | - | - |
| GP2B 55/240M | GP2B 55/240T | MK 5/4-N | 2 x 1,1 | 2 x 6,5 | 2 x 2,8 | | 56,0 | - | 54,3 | 52,5 | 48,0 | 41,5 | 29,0 | 16,0 | - | - | - | - | - |
| GP2B 70/240M | GP2B 70/240T | MK 5/5-N | 2 x 1,1 | 2 x 8,5 | 2 x 3,0 | | 70,0 | - | 68,0 | 66,0 | 60,0 | 51,5 | 37,0 | 21,0 | - | - | - | - | - |
| GP2B 85/240M | GP2B 85/240T | MK 5/6-N | 2 x 1,5 | 2 x 9,5 | 2 x 3,5 | | 84,0 | - | 81,5 | 79,0 | 72,0 | 62,0 | 45,0 | 26,0 | - | - | - | - | - |
| GP2B 100/240M | GP2B 100/240T | MK 5/7-N | 2 x 1,8 | 2 x 10,5 | 2 x 4,5 | | 98,0 | - | 95,3 | 92,5 | 84,0 | 72,5 | 53,0 | 30,0 | - | - | - | - | - |
| GP2B 110/240M | GP2B 110/240T | MK 5/8-N | 2 x 2,2 | 2 x 11,5 | 2 x 5,0 | | 112,0 | - | 108,8 | 105,5 | 96,0 | 82,5 | 61,0 | 36,0 | - | - | - | - | - |
| GP2B 55/360M | GP2B 55/360T | MK 8/4-N | 2 x 1,5 | 2 x 8,5 | 2 x 3,0 | | 56,0 | - | - | 54,0 | 52,0 | 50,0 | 43,0 | 35,0 | 27,0 | 18,0 | 7,0 | - | - |
| GP2B 70/360M | GP2B 70/360T | MK 8/5-N | 2 x 1,8 | 2 x 9,5 | 2 x 3,5 | | 70,0 | - | - | 67,5 | 66,0 | 63,0 | 55,0 | 46,0 | 36,0 | 24,0 | 10,0 | - | - |
| GP2B 85/360M | GP2B 85/360T | MK 8/6-N | 2 x 2,2 | 2 x 11,5 | 2 x 5,0 | | 86,0 | - | - | 82,0 | 78,0 | 74,0 | 65,0 | 54,0 | 42,0 | 29,0 | 12,0 | - | - |

Q = Portata H = Prevalenza manometrica

DIMENSIONI



| Modello gruppo | | B | C | D | Peso |
|----------------|---------------|-----|-------|-------|------|
| 1 x 230V | 3 x 400V | mm | BSP | BSP | Kg |
| GP2B 50/160M | GP2B 50/160T | 231 | 2" | 1"1/2 | 58,4 |
| GP2B 70/160M | GP2B 70/160T | 258 | 2" | 1"1/2 | 60 |
| GP2B 90/160M | GP2B 90/160T | 285 | 2" | 1"1/2 | 61,6 |
| GP2B 100/160M | GP2B 100/160T | 312 | 2" | 1"1/2 | 63,2 |
| GP2B 55/240M | GP2B 55/240T | 258 | 2" | 1"1/2 | 60 |
| GP2B 70/240M | GP2B 70/240T | 285 | 2" | 1"1/2 | 63,6 |
| GP2B 85/240M | GP2B 85/240T | 312 | 2" | 1"1/2 | 67,2 |
| GP2B 100/240M | GP2B 100/240T | 339 | 2" | 1"1/2 | 70,8 |
| GP2B 110/240M | GP2B 110/240T | 366 | 2" | 1"1/2 | 74,4 |
| GP2B 55/360M | GP2B 55/360T | 258 | 2"1/2 | 2" | 63 |
| GP2B 70/360M | GP2B 70/360T | 285 | 2"1/2 | 2" | 66,2 |
| GP2B 85/360M | GP2B 85/360T | 312 | 2"1/2 | 2" | 69,4 |

